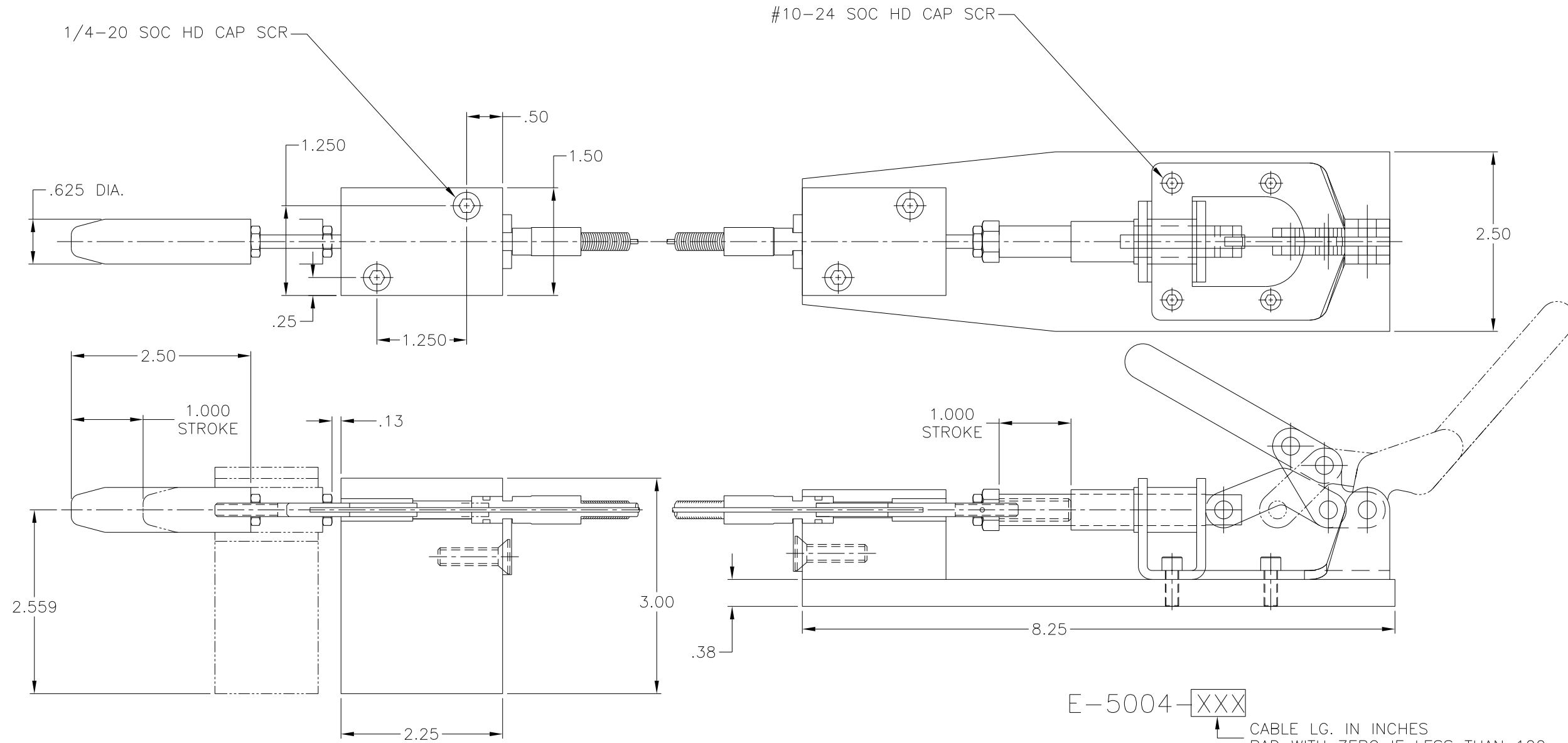


Click for CAD Files  
.3DWG / .STP



|  |   |   |
|--|---|---|
| <p>IF CAD DRAWN, MANUAL CHANGES ARE PROHIBITED</p> <p>UNLESS OTHERWISE SPECIFIED:</p> <p>.02 RAD. MAX. ON ALL INSIDE CORNERS</p> | <p>GEOMETRIC DRAWING SYMBOLS</p> <p>— FLAT</p> <p>— STRAIGHT</p> <p>— ANGULAR</p> <p>— SQUARE</p> <p>— PARALLEL</p> <p>— ROUND</p> <p>— CYLINDRICAL</p> <p>— CONCENTRIC</p> <p>— PROFILE OF A SURFACE</p> <p>— PROFILE OF A SURFACE</p> <p>— TRUE POSITION</p> <p>— SYMMETRICAL</p> <p>— RUNOUT CIR.</p> <p>— TOTAL RUNOUT</p> <p>— BASIC DIM. (.000) REF. DIM.</p> | <p>INCH</p> <p>3RD ANGLE PROJECTION</p> <p>DO NOT SCALE</p> |
|--|---|---|

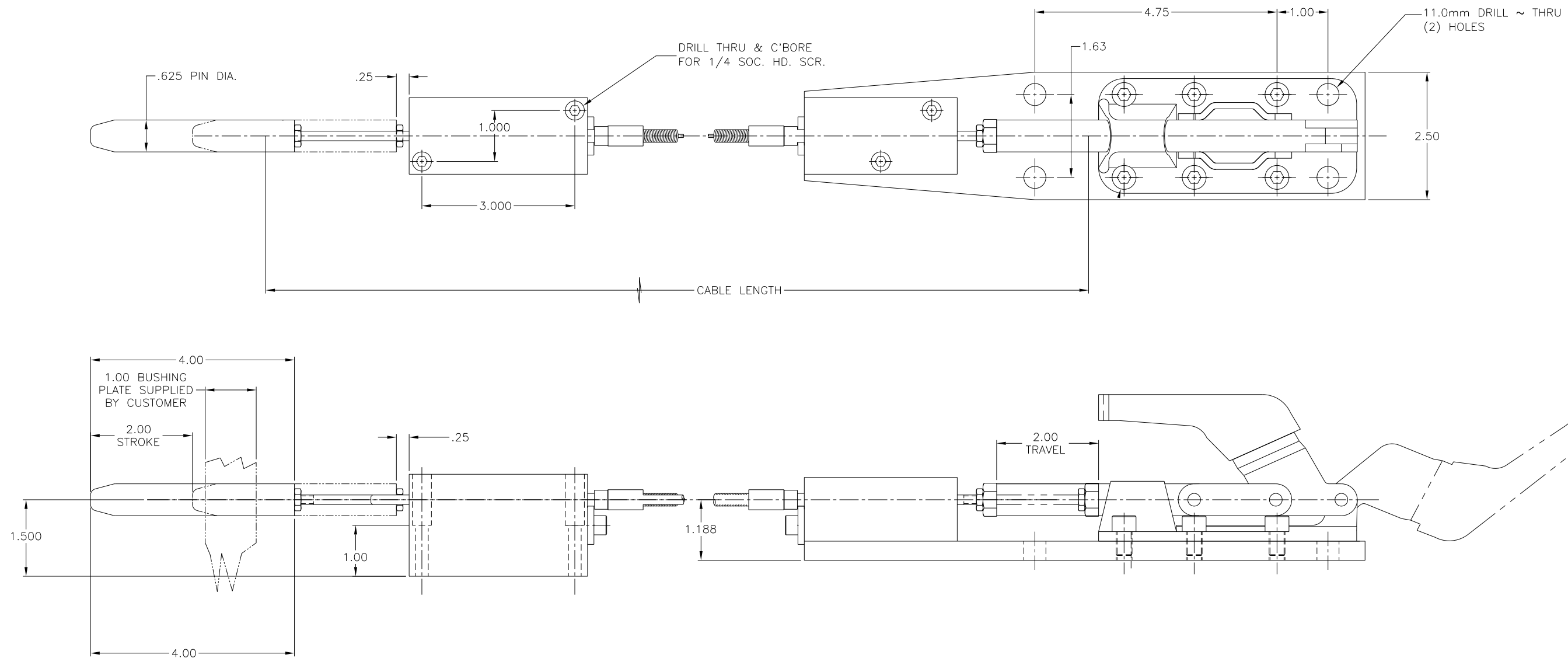
|   |  |
|---|--|
| <p><b>E&amp;E</b></p> <p>SPECIAL PRODUCTS</p> | <p>NOTICE: THIS DRAWING IS THE PROPERTY OF E&amp;E ENGINEERING INCORPORATED INCLUDING THE PRINCIPLES OF THE DESIGN INVOLVED, AND IS SUBMITTED WITH AGREEMENT THAT IT IS NOT TO BE REPRODUCED, COPIED, OR LOANED, IN PART OR WHOLE. ACCEPTANCE OF THIS DRAWING WILL BE CONSTRUED AS AN AGREEMENT TO THE ABOVE</p> |
| TITLE   | XXXXXXXXXXXXXX   |
| PART NO.                                      | E-5004-XXX   |

|           |                |
|-----------|----------------|
| CHK'D BY: | APPR'D BY:     |
| DATE:     | DATE:          |
| JWG. NO.  | XXXXXXXXXXXXXX |



E&E CAD FILE #

Click for CAD Files  
.3DWG / .STP



NOTE: USE THE FOLLOWING FOR COMPLETING PART NO'S.

FOR E&E PART NO'S.

E-5004-XXX-200

CABLE LENGTH IN INCHES  
PAD WITH ZERO IF LESS THAN 100  
i.e 048=48

| DET | SHT | AMT | DESCRIPTION/STOCK SIZE | MAT'L |
|-----|-----|-----|------------------------|-------|
|-----|-----|-----|------------------------|-------|

BILL OF MATERIAL

IF CAD DRAWN, MANUAL CHANGES ARE PROHIBITED UNLESS OTHERWISE SPECIFIED.

GEOMETRIC DRAWING SYMBOLS  
 FLAT  
 STRAIGHT  
 ANGULAR  
 SQUARE  
 PROFILE OF A SURFACE  
 TRUE POSITION  
 SYMMETRICAL

INCH

|  |  |   |                     |
|--|--|---|---------------------|
| <b>E&amp;E</b><br>SPECIAL PRODUCTS<br><small>DIV. OF E&amp;E ENGINEERING</small><br>7200 MILLER DR.<br>WARREN, MI. 48092 | DRAWN BY: GREG<br>DATE: 01JUN00<br>SCALE: FULL<br>SHT 01 OF 07   | CHK'D BY:<br>DATE:<br>DWG. NO: E-5004.200-TMP | APPR'D BY:<br>DATE: |
|  | NOTICE: THIS DRAWING IS THE PROPERTY OF E&E ENGINEERING INCORPORATED INCLUDING THE PRINCIPLES OF THE DESIGN INVOLVED, AND IS SUBMITTED WITH AGREEMENT THAT IT IS NOT TO BE REPRODUCED, COPIED, OR LOANED, IN PART OR WHOLE. ACCEPTANCE OF THIS DRAWING WILL BE CONSTRUED AS AN AGREEMENT TO THE ABOVE. |   |                     |
| TITLE: REMOTE LOCK OUT PIN<br>PART NO: E-5004-XXX-200  |  |   |                     |

