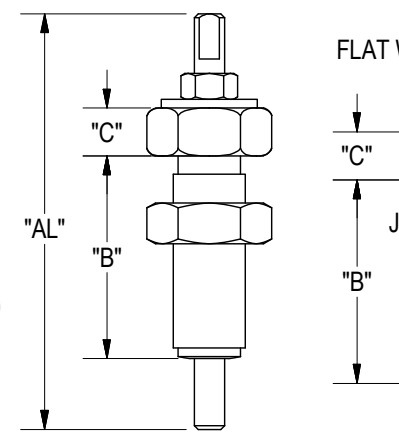
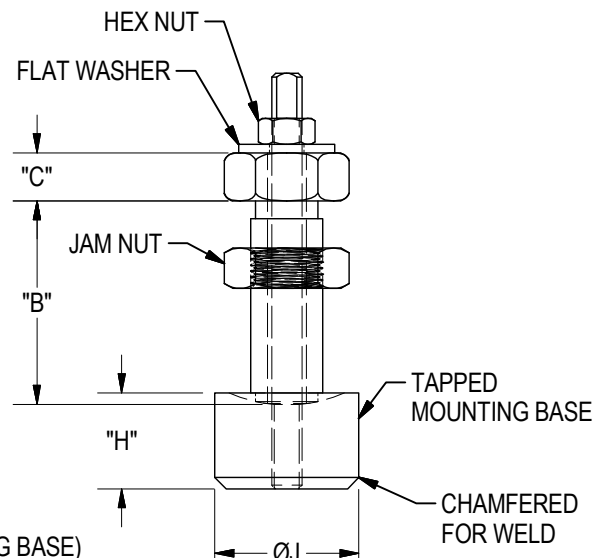


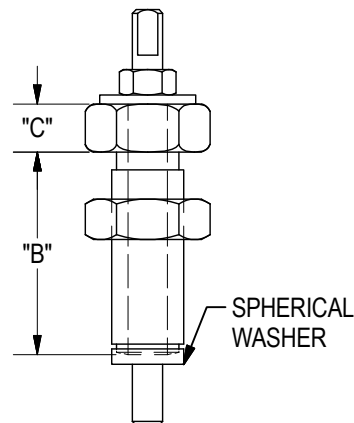
**OPTIONS 0,0**  
(BASIC)



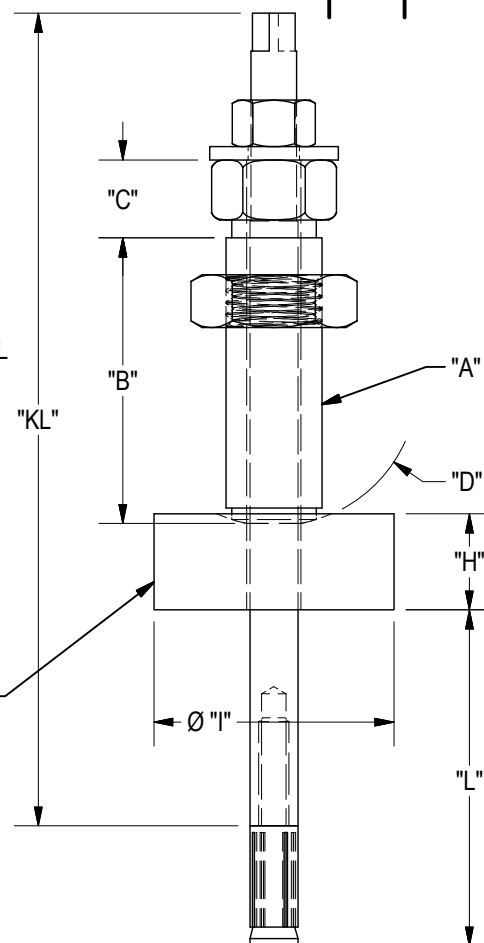
**OPTIONS A,0**  
(APPLICATIONS WITH EXISTING BASE)



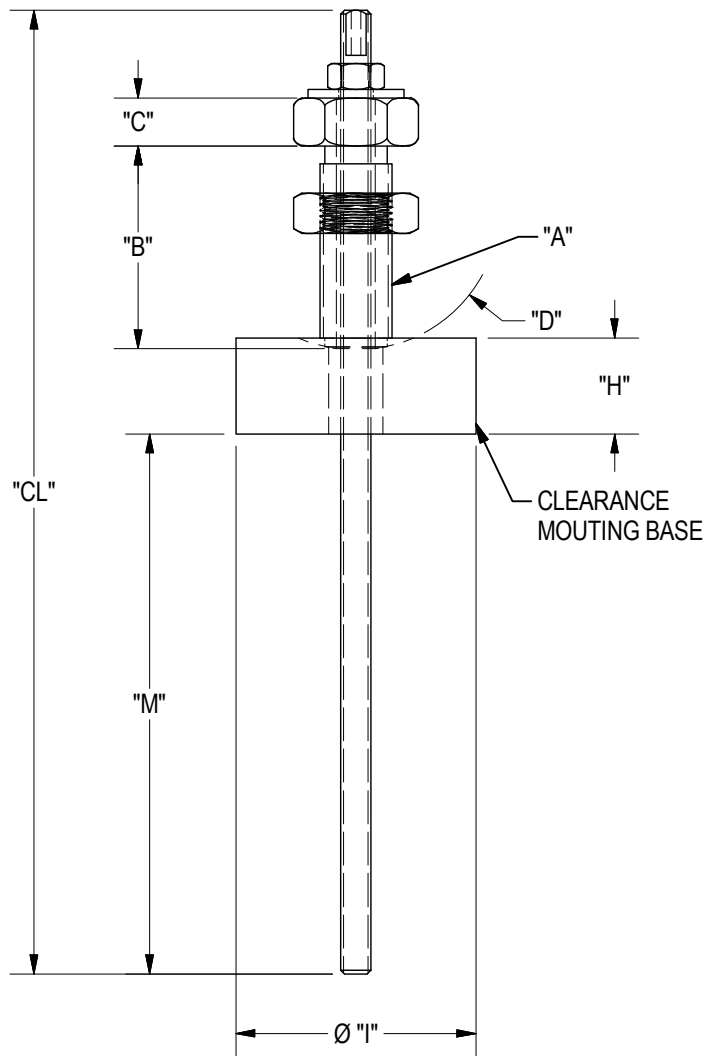
**OPTIONS A,T**  
(WELD DOWN APPLICATIONS)



**OPTIONS A,W**  
(APPLICATIONS WITH EXISTING TAPS)



**OPTIONS E,C**  
(EXPANSION ANCHORING APPLICATIONS)



**OPTIONS A,C**  
(FOR EPOXY ANCHORING)

**ORDERING INFORMATION**



**Thread Dia**  
075, 100, 112, 150

**Body Length**  
213, 319, 362, 538

**Thread Type**  
C Coarse  
F Fine

**Anchor Option**  
0 None  
A Anchor Screw, Jam Nut, Flat Washer  
E Expansion Anchor, Jam Nut, Flat Washer

**Mounting Base Option**  
0 None  
C Clearance  
T Tapped  
W Spherical Washer

						ZINC PLATED NO OIL	BLACK OXIDE	BLACK OXIDE					EXPANSION ANCHOR			EPOXY ANCHOR		
A	B	C	D	E	F	CL	AL	KL	H	DIA I	DIA J	DRILL SIZE	MIN. DEPTH	L	DRILL SIZE	MIN DEPTH	M	
3/4-10	2-1/8	1/2	1-1/2	1-1/8	13/32	255mm	110mm	N/A	1	N/A	1-1/2	N/A	N/A	N/A	10mm	TBD. By customer at install.	5-1/2	
3/4-16	2-1/8	1/2	1-1/2	1-1/8	13/32	255mm	110mm	N/A	1	N/A	1-1/2	N/A	N/A	10mm	5-1/2			
1-8	3-3/16	5/8	1-1/2	1-1/8	9/16	300mm	230mm	215mm	1	2-1/2	2-1/2	1/2	3 1/2	3 1/2	14mm		5-3/4	
1-14	3-3/16	5/8	1-1/2	1-1/8	9/16	300mm	230mm	215mm	1	2-1/2	2-1/2	1/2	3 1/2	3 1/2	14mm		5-1/2	
1-1/8-7	3-5/8	5/8	1-1/2	1-5/8	9/16	300mm	230mm	215mm	1	2-1/2	2-1/2	1/2	3 1/2	3 1/2	14mm		5-1/2	
1-1/8-12	3-5/8	5/8	1-1/2	1-5/8	9/16	300mm	230mm	215mm	1	2-1/2	2-1/2	1/2	3 1/2	3 1/2	14mm	Click here for more info	5-1/2	
1-1/8-7	5-3/8	5/8	1-1/2	1-5/8	9/16	345mm	230mm	260mm	1	2-1/2	2-1/2	1/2	3 1/2	3 1/2	14mm		5-1/2	
1-1/2-6	3-5/8	5/8	2-1/4	1-5/8	7/8	345mm	230mm	215mm	1	3-1/2	2-1/2	3/4	6	6	22mm		6-1/2	
1-1/2-12	3-5/8	5/8	2-1/4	1-5/8	7/8	345mm	230mm	215mm	1	3-1/2	2-1/2	3/4	6	6	22mm	6-1/2		
1-1/2-6	5-3/8	5/8	2-1/4	1-5/8	7/8	345mm	230mm	260mm	1	3-1/2	2-1/2	3/4	6	6	22mm	4-1/2		
1-1/2-12	5-3/8	5/8	2-1/4	1-5/8	7/8	345mm	230mm	260mm	1	3-1/2	2-1/2	3/4	6	6	22mm	4-1/2		

 7200 MILLER DR. WARREN, MI 48092 EESP.CO	NOTICE: THIS DRAWING IS PROPERTY OF E&E SPECIAL PRODUCTS INCLUDING THE PRINCIPLES OF THE DESIGN INVOLVED, AND IS SUBMITTED WITH AGREEMENT THAT IT IS NOT TO BE REPRODUCED, COPIED, OR LOANED, IN PART OR WHOLE, ACCEPTANCE OF THIS DRAWING WILL BE CONSTRUED AS AN AGREEMENT TO THE ABOVE		
	TITLE      ENGLISH LEVELING JACKS		
	PART NO.		
	DRAWN BY:	CHK'D BY:	APPRD BY:
DATE:	DATE:	DATE:	
SCALE: 1/2	DWG. NO.      ELJ- TEMPALTE		
SHT 1 OF 1			