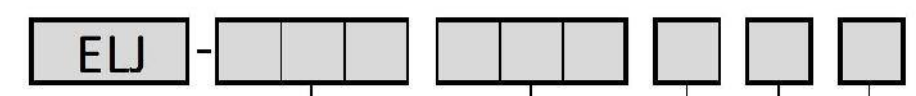


SYM	CHANGES	DATE	BY
-----	---------	------	----

ORDERING INFORMATION



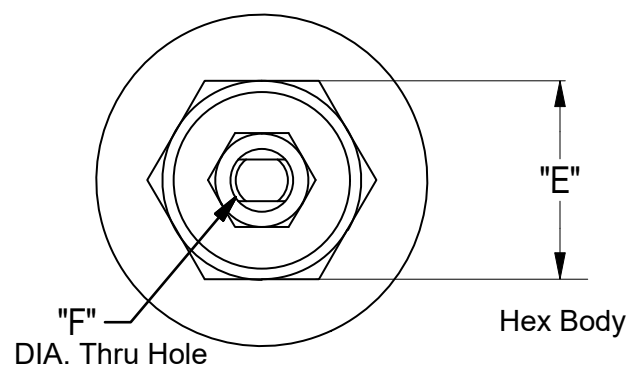
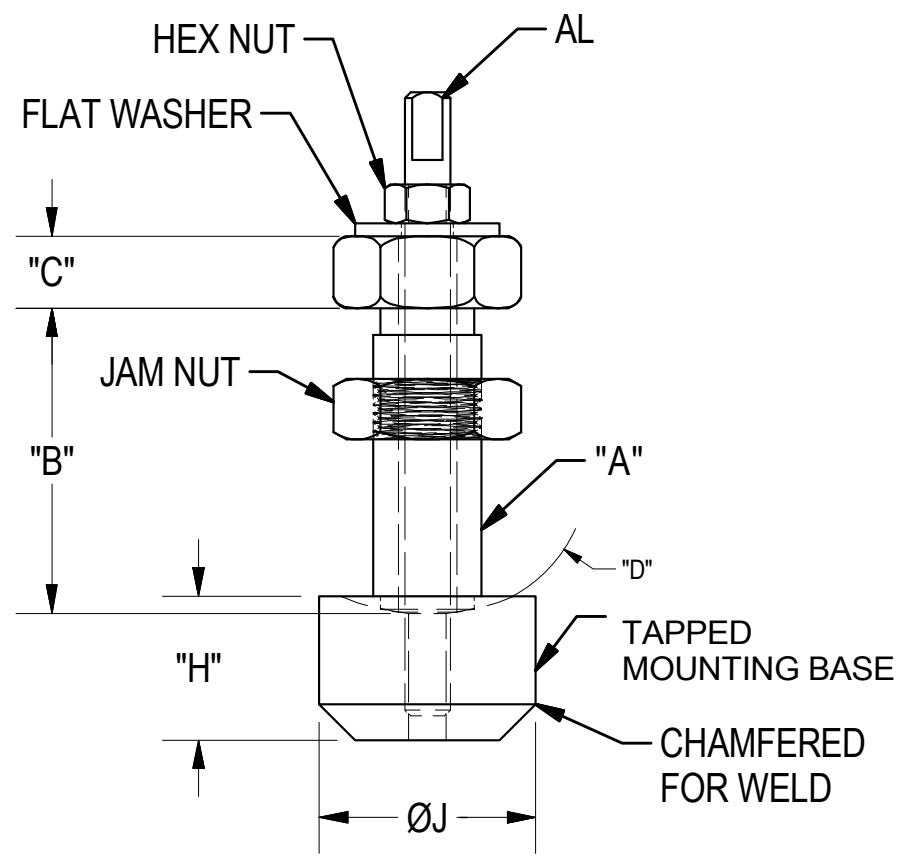
Thread Dia
075, 100, 112, 150

Body Length
213, 319, 362, 538

Thread Type
C Coarse
F Fine

Anchor Option
A Anchor Screw, Jam Nut, Flat Washer

Mounting Base Option
T Tapped



OPTIONS A,T
(WELD DOWN APPLICATIONS)

BLACK OXIDE

A	B	C	D	E	F	AL	H	DIA J
3/4-10	2-1/8	1/2	1-1/2	1-1/8	13/32	110mm	1	1-1/2
3/4-16	2-1/8	1/2	1-1/2	1-1/8	13/32	110mm	1	1-1/2
1-8	3-3/16	5/8	1-1/2	1-1/8	9/16	170mm	1	2-1/2
1-14	3-3/16	5/8	1-1/2	1-1/8	9/16	170mm	1	2-1/2
1-1/8-7	3-5/8	5/8	1-1/2	1-5/8	9/16	170mm	1	2-1/2
1-1/8-12	3-5/8	5/8	1-1/2	1-5/8	9/16	170mm	1	2-1/2
1-1/8-7	5-3/8	5/8	1-1/2	1-5/8	9/16	215mm	1	2-1/2
1-1/8-12	5-3/8	5/8	1-1/2	1-5/8	9/16	215mm	1	2-1/2
1-1/2-6	3-5/8	5/8	2-1/4	1-5/8	7/8	190mm	1	2-1/2
1-1/2-12	3-5/8	5/8	2-1/4	1-5/8	7/8	190mm	1	2-1/2
1-1/2-6	5-3/8	5/8	2-1/4	1-5/8	7/8	230mm	1	2-1/2
1-1/2-12	5-3/8	5/8	2-1/4	1-5/8	7/8	230mm	1	2-1/2

 7200 MILLER DR. WARREN, MI 48092 EESP.CO	NOTICE: THIS DRAWING IS PROPERTY OF E&E SPECIAL PRODUCTS INCLUDING THE PRINCIPLES OF THE DESIGN INVOLVED, AND IS SUBMITTED WITH AGREEMENT THAT IT IS NOT TO BE REPRODUCED, COPIED, OR LOANED, IN PART OR WHOLE, ACCEPTANCE OF THIS DRAWING WILL BE CONSTRUED AS AN AGREEMENT TO THE ABOVE		
	TITLE ENGLISH " WELD DOWN" LEVELING JACKS		
	PART NO.		
	DRAWN BY:	CHK'D BY: EC	APPRD BY: MH
	DATE: 8/25/2020	DATE: 9/28/2020	DATE: 9/28/2020
SCALE: 1/2	DWG. NO. ELJ- TEMPALTE		
SHT 1 OF 1			