

SYM	CHANGES	DATE	BY
-----	---------	------	----

**ORDERING INFORMATION**

EMLJ - [ ] [ ] [ ] [ ] [ ] [ ]

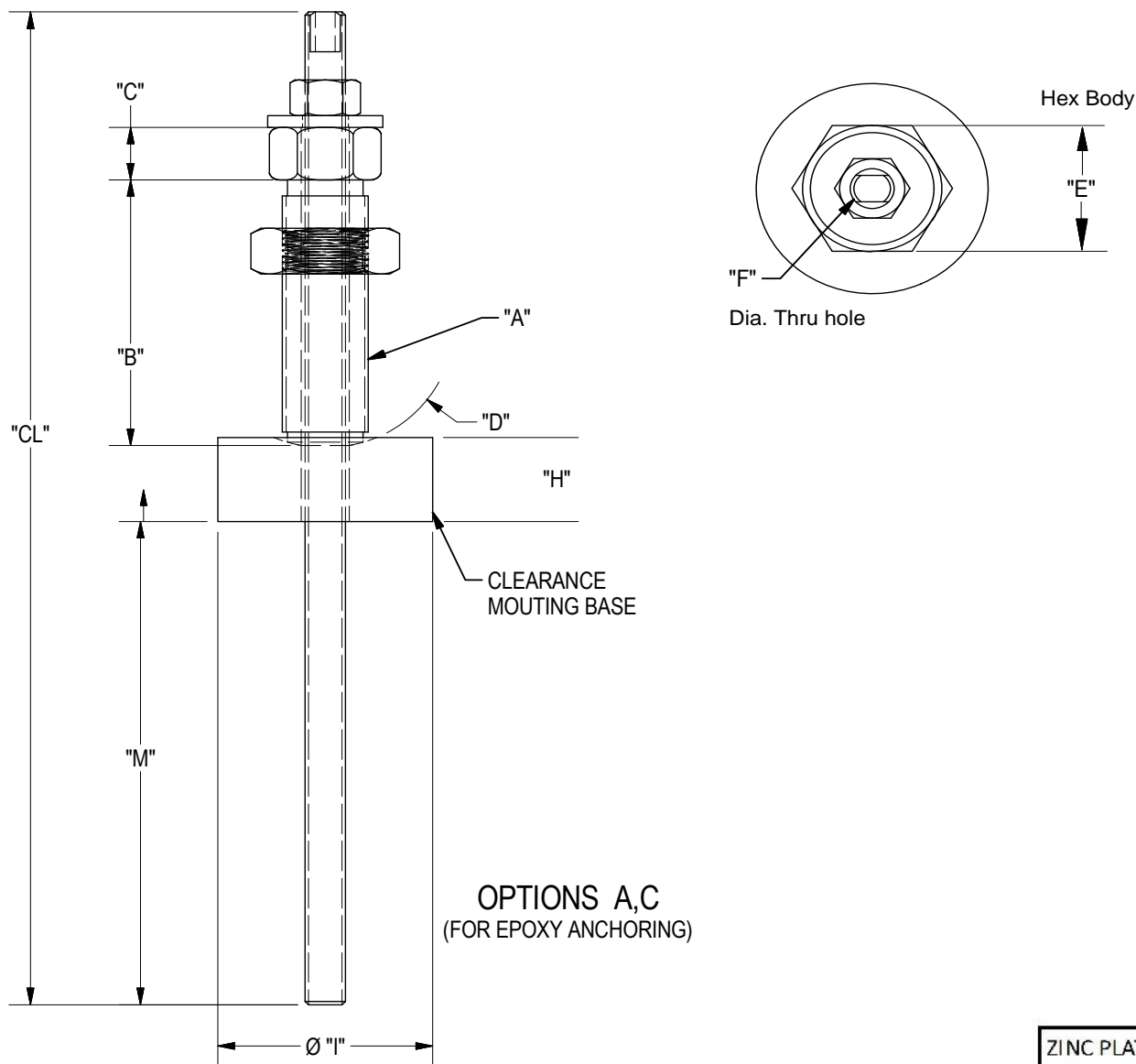
**Thread Dia**  
20, 24, 30, 36, 39

**Body Length**  
050, 075, 100, 150

**Thread Type**  
C Coarse  
F Fine

**Anchor option**  
A Anchor Screw, Jam Nut, Flat Washer

**Mounting Base Option**  
C Clearance



						ZINC PLATED NO OIL	EPOXY ANCHOR				
A	B	C	D	E	F	CL	H	DIA I	DRILL SIZE	MIN DEPTH	M
M20x1.5	050	13	38	28.6	10.3	255	25.4	50.8	10mm	TBD. By customer at install.	140
M20 X 2.5	050	13	38	28.6	10.3	255	25.4	50.8	10mm		140
M24 X 2	075	16	38	28.6	14.3	300	25.4	63.5	14mm		155
M24 X 3	075	16	38	28.6	14.3	300	25.4	63.5	14mm		155
M30 X 2	100	16	38	41.3	14.3	300	25.4	63.5	14mm		130
M30 X 3.5	100	16	38	41.3	14.3	300	25.4	63.5	14mm		130
M30 X 2	150	16	38	41.3	14.3	345	25.4	63.5	14mm		120
M30 X 3.5	150	16	38	41.3	14.3	345	25.4	63.5	14mm		120
M36 X 3	100	16	57	41.3	22.1	345	25.4	88.9	22mm		155
M36 X 4	100	16	57	41.3	22.1	345	25.4	88.9	22mm		155
M36X3	150	16	57	41.3	22.1	345	25.4	88.9	22mm	Click here for more info	105
M36 X 4	150	16	57	41.3	22.1	345	25.4	88.9	22mm		105
M39 X 3	100	16	57	41.3	22.1	345	25.4	88.9	22mm		155
M39 X 4	100	16	57	41.3	22.1	345	25.4	88.9	22mm		155
M39 X 3	150	16	57	41.3	22.1	345	25.4	88.9	22mm		105
M39 X 4	150	16	57	41.3	22.1	345	25.4	88.9	22mm		105

 7200 MILLER DR. WARREN, MI 48092 EESP.CO	NOTICE: THIS DRAWING IS PROPERTY OF E&E SPECIAL PRODUCTS INCLUDING THE PRINCIPLES OF THE DESIGN INVOLVED, AND IS SUBMITTED WITH AGREEMENT THAT IT IS NOT TO BE REPRODUCED, COPIED, OR LOANED, IN PART OR WHOLE, ACCEPTANCE OF THIS DRAWING WILL BE CONSTRUED AS AN AGREEMENT TO THE ABOVE		
	TITLE METRIC EPOXY LEVELING JACKS		
	PART NO.		
	DRAWN BY:	CHK'D BY: EC	APPRD BY: MH
DATE: 8/25/2020	DATE: 10/8/2020	DATE: 10/8/2020	
SCALE: 1/2	DWG. NO. EMLJ- TEMPALTE		
SHT 1 OF 1			