

ORDERING INFORMATION

EMLJ - [] [] [] [] [] []

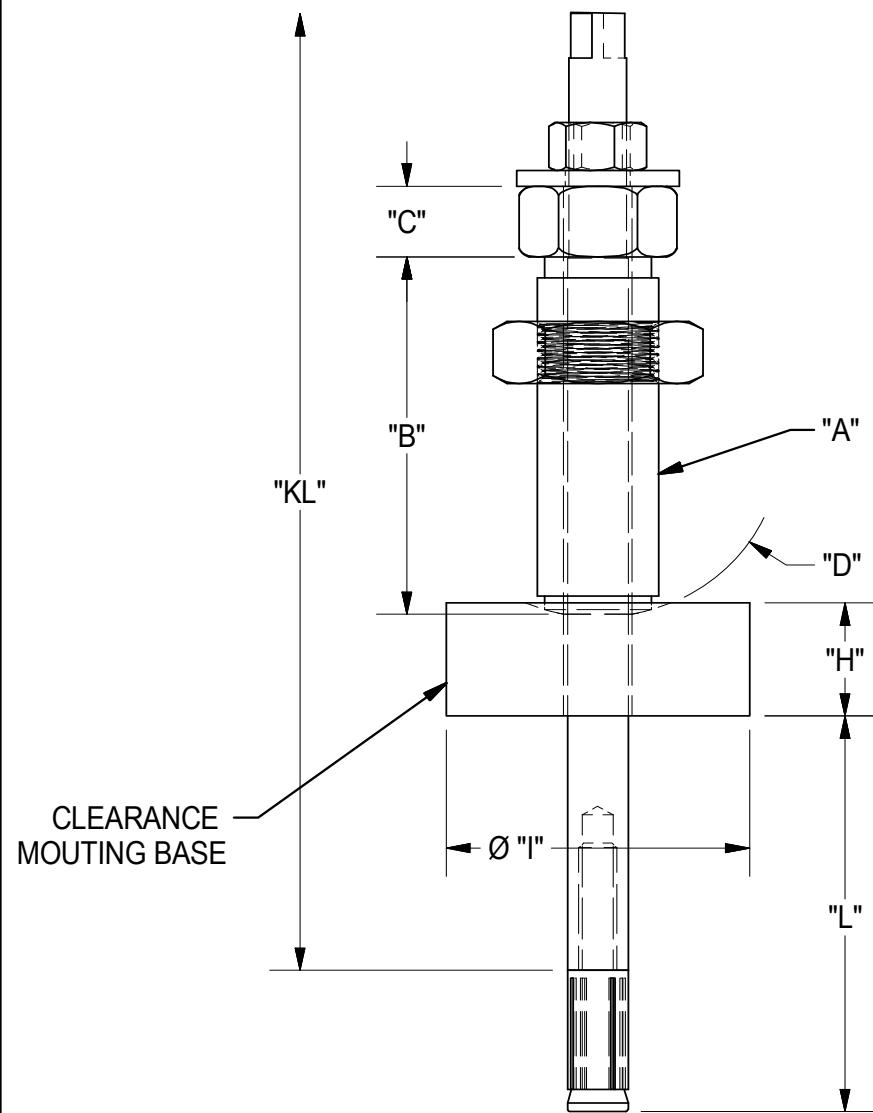
Thread Dia
24, 30, 36, 39

Body Length
075, 100, 150

Thread Type
C Coarse
F Fine

Anchor option
E Expansion Anchor, Jam Nut, Flat Washer

Mounting Base Option
C Clearance



OPTIONS E,C
(EXPANSION ANCHORING APPLICATIONS)

A	B	C	D	E	F	BLACK OXIDE		EXPANSION ANCHOR		L	
						KL	H	DIA I	DRILL SIZE		MIN DEPTH
M20x1.5	050	13	38	28.6	10.3	N/A	25.4	50.8	N/A	N/A	N/A
M20 X 2.5	050	13	38	28.6	10.3	N/A	25.4	50.8	N/A	N/A	N/A
M24 X 2	075	16	38	28.6	14.3	215	25.4	63.5	12.7	89	89
M24 X 3	075	16	38	28.6	14.3	215	25.4	63.5	12.7	89	89
M30 X 2	100	16	38	41.3	14.3	260	25.4	63.5	12.7	89	89
M30 X 3.5	100	16	38	41.3	14.3	260	25.4	63.5	12.7	89	89
M30 X 2	150	16	38	41.3	14.3	290	25.4	63.5	12.7	89	89
M30 X 3.5	150	16	38	41.3	14.3	290	25.4	63.5	12.7	89	89
M36 X 3	100	16	57	41.3	22.1	290	25.4	88.9	19	152	152
M36 X 4	100	16	57	41.3	22.1	290	25.4	88.9	19	152	152
M36X3	150	16	57	41.3	22.1	345	25.4	88.9	19	152	152
M36 X 4	150	16	57	41.3	22.1	345	25.4	88.9	19	152	152
M39 X 3	100	16	57	41.3	22.1	290	25.4	88.9	19	152	152
M39 X 4	100	16	57	41.3	22.1	290	25.4	88.9	19	152	152
M39 X 3	150	16	57	41.3	22.1	345	25.4	88.9	19	152	152
M39 X 4	150	16	57	41.3	22.1	345	25.4	88.9	19	152	152

 7200 MILLER DR. WARREN, MI 48092 EESP.CO	NOTICE: THIS DRAWING IS PROPERTY OF E&E SPECIAL PRODUCTS INCLUDING THE PRINCIPLES OF THE DESIGN INVOLVED, AND IS SUBMITTED WITH AGREEMENT THAT IT IS NOT TO BE REPRODUCED, COPIED, OR LOANED, IN PART OR WHOLE, ACCEPTANCE OF THIS DRAWING WILL BE CONSTRUED AS AN AGREEMENT TO THE ABOVE		
	TITLE METRIC EXPANSION ANCHOR LEVELING JACKS		
	PART NO.		
	DRAWN BY: DATE: 8/25/2020 SCALE: 1/2 SHT 1 OF 1	CHK'D BY: EC DATE: 10/8/2020	APPR'D BY: MH DATE: 10/8/2020
	DWG. NO. ELJ- TEMPALTE		