

ORDERING INFORMATION

EMLJ - [] [] [] [] [] []

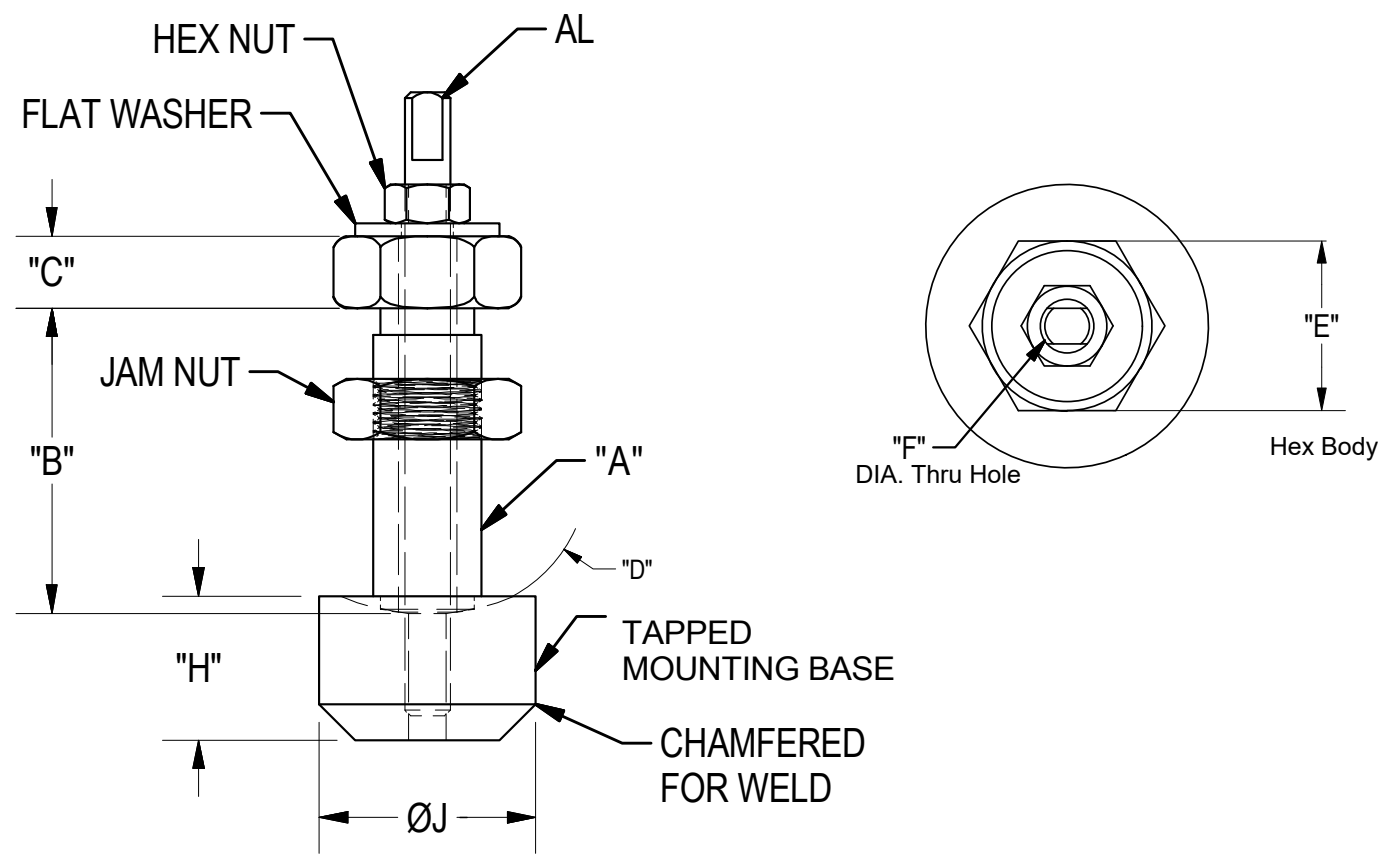
Thread Dia
20, 24, 30, 36, 39

Body Length
050, 075, 100, 150

Thread Type
C Coarse
F Fine

Anchor option
A Anchor Screw, Jam Nut, Flat Washer

Mounting Base Option
T Tapped



OPTIONS A,T
(WELD DOWN APPLICATIONS)

						BLACK OXIDE		
A	B	C	D	E	F	AL	H	DIA J
M20x1.5	050	13	38	28.6	10.3	110	25.4	38.1
M20 X 2.5	050	13	38	28.6	10.3	110	25.4	38.1
M24 X 2	075	16	38	28.6	14.3	170	25.4	63.5
M24 X 3	075	16	38	28.6	14.3	170	25.4	63.5
M30 X 2	100	16	38	41.3	14.3	170	25.4	63.5
M30 X 3.5	100	16	38	41.3	14.3	170	25.4	63.5
M30 X 2	150	16	38	41.3	14.3	230	25.4	63.5
M30 X 3.5	150	16	38	41.3	14.3	230	25.4	63.5
M36 X 3	100	16	57	41.3	22.1	190	25.4	63.5
M36 X 4	100	16	57	41.3	22.1	190	25.4	63.5
M36X3	150	16	57	41.3	22.1	260	25.4	63.5
M36 X 4	150	16	57	41.3	22.1	260	25.4	63.5
M39 X 3	100	16	57	41.3	22.1	230	25.4	63.5
M39 X 4	100	16	57	41.3	22.1	230	25.4	63.5
M39 X 3	150	16	57	41.3	22.1	260	25.4	63.5
M39 X 4	150	16	57	41.3	22.1	260	25.4	63.5

 7200 MILLER DR. WARREN, MI 48092 EESP.CO	NOTICE: THIS DRAWING IS PROPERTY OF E&E SPECIAL PRODUCTS INCLUDING THE PRINCIPLES OF THE DESIGN INVOLVED, AND IS SUBMITTED WITH AGREEMENT THAT IT IS NOT TO BE REPRODUCED, COPIED, OR LOANED, IN PART OR WHOLE, ACCEPTANCE OF THIS DRAWING WILL BE CONSTRUED AS AN AGREEMENT TO THE ABOVE		
	TITLE METRIC " WELD DOWN" LEVELING JACKS		
	PART NO.		
	DRAWN BY:	CHK'D BY: EC	APPRD BY: MH
	DATE: 8/25/2020	DATE: 9/28/2020	DATE: 9/28/2020
SCALE: 1/2	DWG. NO. EMLJ- TEMPALTE		
SHT 1 OF 1			