

SYM	CHANGES	DATE	BY
-----	---------	------	----

ORDERING INFORMATION

EMLJ - [] [] [] [] - [] **00**

Thread Dia

20, 24, 30, 36, 39

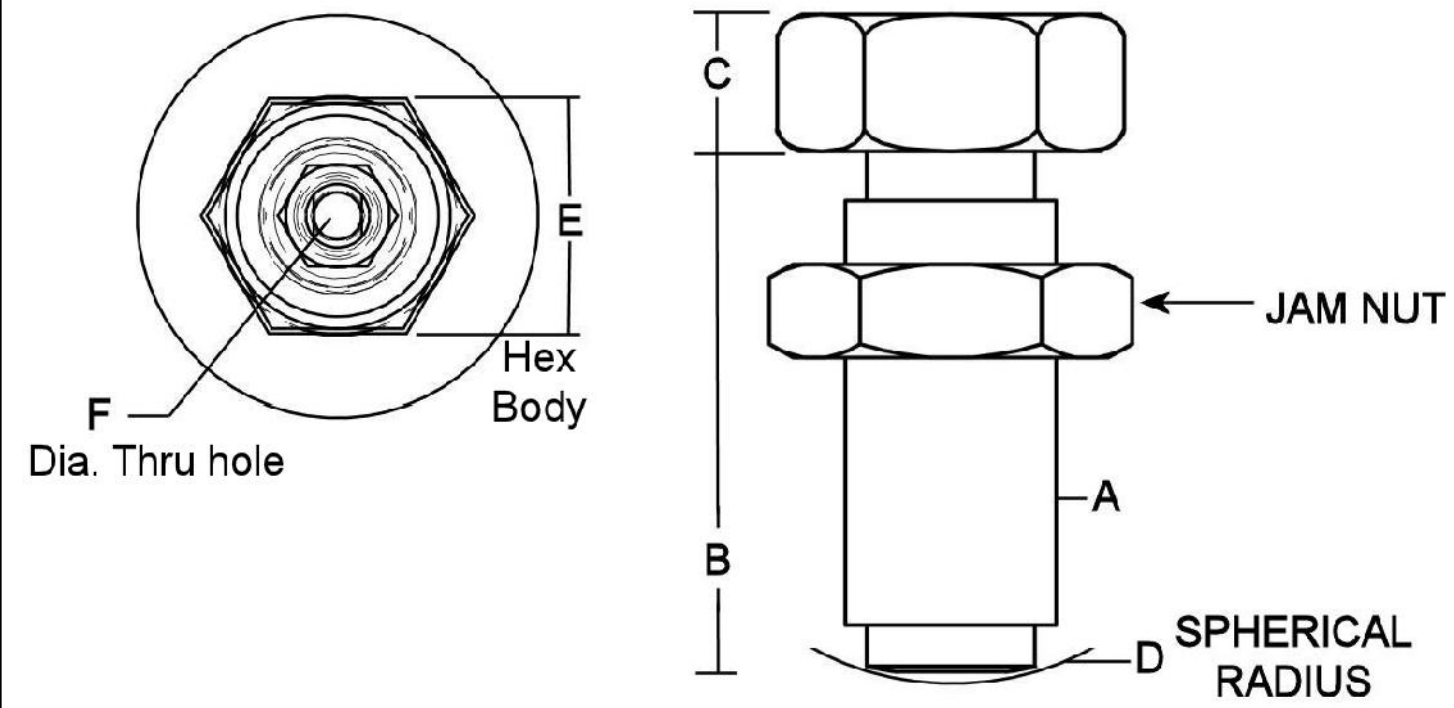
Body Length

050, 075, 100, 150

Thread Type

C Coarse

F Fine



A	B	C	D	E	F
M20x1.5	050	13	38	28.6	10.3
M20 X 2.5	050	13	38	28.6	10.3
M24 X 2	075	16	38	28.6	14.3
M24 X 3	075	16	38	28.6	14.3
M30 X 2	100	16	38	41.3	14.3
M30 X 3.5	100	16	38	41.3	14.3
M30 X 2	150	16	38	41.3	14.3
M30 X 3.5	150	16	38	41.3	14.3
M36 X 3	100	16	57	41.3	22.1
M36 X 4	100	16	57	41.3	22.1
M36X3	150	16	57	41.3	22.1
M36 X 4	150	16	57	41.3	22.1
M39 X 3	100	16	57	41.3	22.1
M39 X 4	100	16	57	41.3	22.1
M39 X 3	150	16	57	41.3	22.1
M39 X 4	150	16	57	41.3	22.1

 7200 MILLER DR. WARREN, MI 48092 EESP.CO	NOTICE: THIS DRAWING IS PROPERTY OF E&E SPECIAL PRODUCTS INCLUDING THE PRINCIPLES OF THE DESIGN INVOLVED, AND IS SUBMITTED WITH AGREEMENT THAT IT IS NOT TO BE REPRODUCED, COPIED, OR LOANED, IN PART OR WHOLE, ACCEPTANCE OF THIS DRAWING WILL BE CONSTRUED AS AN AGREEMENT TO THE ABOVE		
	TITLE METRIC BASIC LEVELING JACK		
	PART NO.		
	DRAWN BY:	CHK'D BY:	APPR'D BY:
	DATE:	DATE:	DATE:
SCALE: 1/2	DWG. NO. EMLJ- TEMPALTE		
SHT 1 OF 1			