

ORDERING INFORMATION

ELJ						
-----	--	--	--	--	--	--

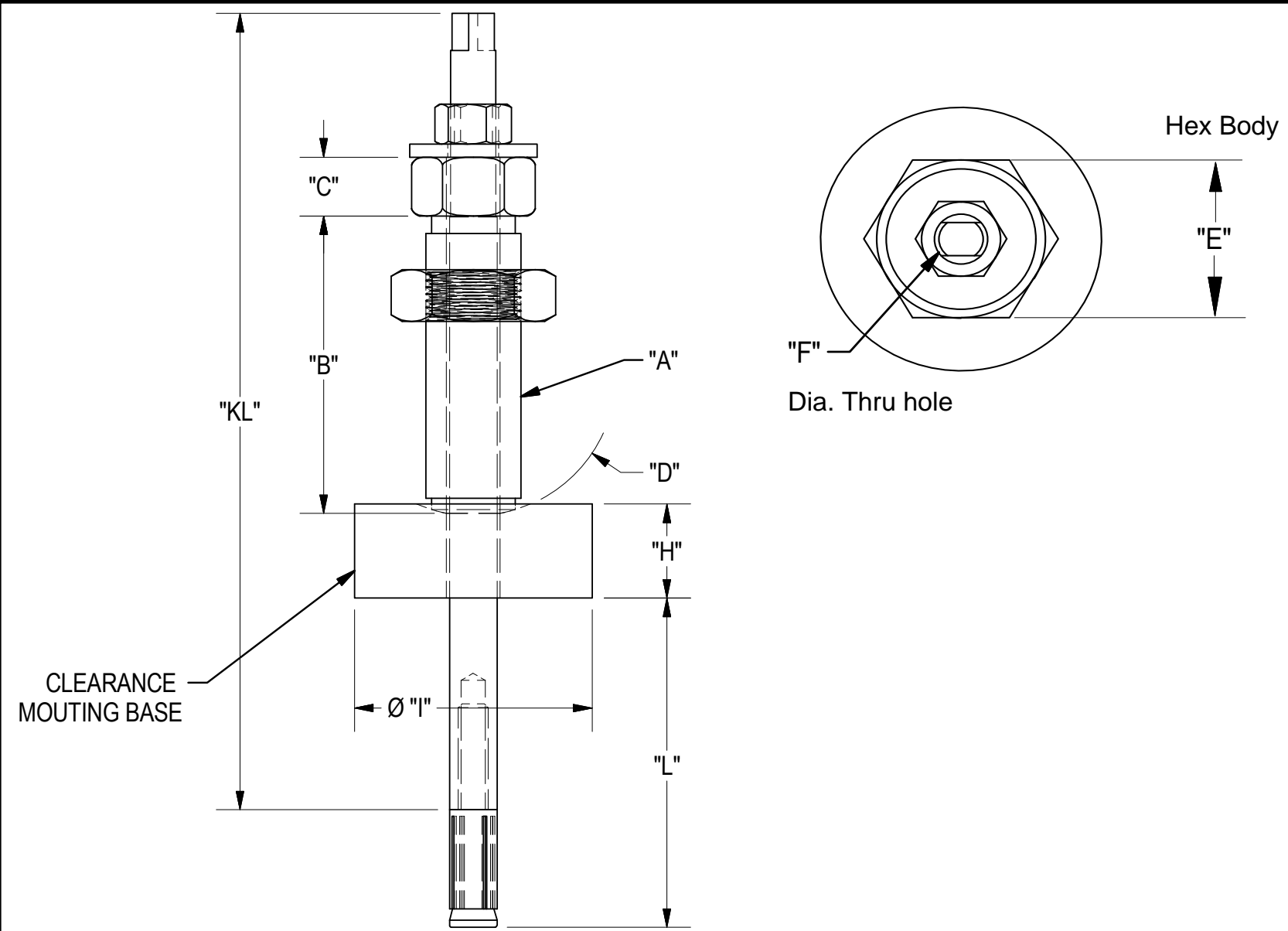
Thread Dia
100, 112, 150

Body Length
319, 362, 538

Thread Type
C Coarse
F Fine

Anchor Option
E Expansion Anchor, Jam Nut, Flat Washer

Mounting Base Option
C Clearance



OPTIONS E,C
(EXPANSION ANCHORING APPLICATIONS)

A	B	C	D	E	F	BLACK OXIDE	EXPANSION ANCHOR		L		
						KL	H	DIA I		DRILL SIZE	MIN. DEPTH
1-8	3-3/16	5/8	1-1/2	1-1/8	9/16	215mm	1	2-1/2	1/2	3 1/2	3 1/2
1-14	3-3/16	5/8	1-1/2	1-1/8	9/16	215mm	1	2-1/2	1/2	3 1/2	3 1/2
1-1/8-7	3-5/8	5/8	1-1/2	1-5/8	9/16	230mm	1	2-1/2	1/2	3 1/2	3 1/2
1-1/8-12	3-5/8	5/8	1-1/2	1-5/8	9/16	230mm	1	2-1/2	1/2	3 1/2	3 1/2
1-1/8-7	5-3/8	5/8	1-1/2	1-5/8	9/16	280mm	1	2-1/2	1/2	3 1/2	3 1/2
1-1/8-12	5-3/8	5/8	1-1/2	1-5/8	9/16	280mm	1	2-1/2	1/2	3 1/2	3 1/2
1-1/2-6	3-5/8	5/8	2-1/4	1-5/8	7/8	290mm	1	3-1/2	3/4	6	6
1-1/2-12	3-5/8	5/8	2-1/4	1-5/8	7/8	290mm	1	3-1/2	3/4	6	6
1-1/2-6	5-3/8	5/8	2-1/4	1-5/8	7/8	345mm	1	3-1/2	3/4	6	6
1-1/2-12	5-3/8	5/8	2-1/4	1-5/8	7/8	345mm	1	3-1/2	3/4	6	6

 7200 MILLER DR. WARREN, MI 48092 EESP.CO	NOTICE: THIS DRAWING IS PROPERTY OF E&E SPECIAL PRODUCTS INCLUDING THE PRINCIPLES OF THE DESIGN INVOLVED, AND IS SUBMITTED WITH AGREEMENT THAT IT IS NOT TO BE REPRODUCED, COPIED, OR LOANED, IN PART OR WHOLE, ACCEPTANCE OF THIS DRAWING WILL BE CONSTRUED AS AN AGREEMENT TO THE ABOVE		
	TITLE ENGLISH EXPANSION ANCHOR LEVELING JACKS		
	PART NO.		
	DRAWN BY:	CHK'D BY: EC	APPR'D BY: MH
	DATE: 8/25/2020	DATE: 10/8/2020	DATE: 10/8/2020
SCALE: 1/2	DWG. NO. ELJ- TEMPALTE		
SHT 1 OF 1			