

# ORDERING INFORMATION

**ECRS** - **25S** -       0

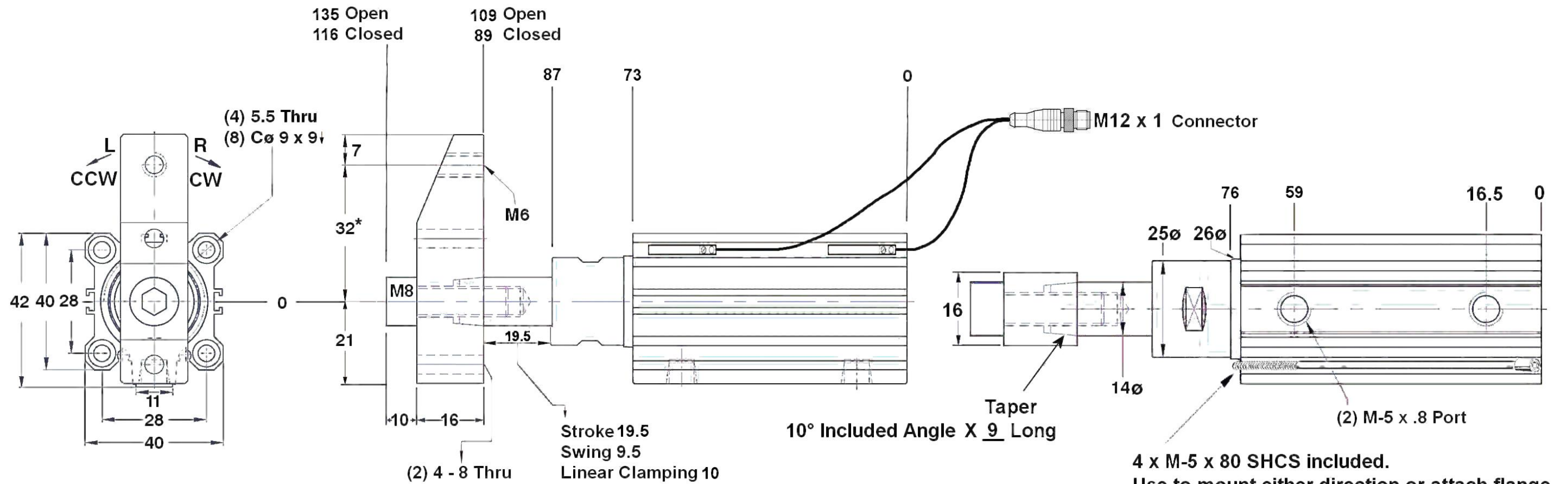
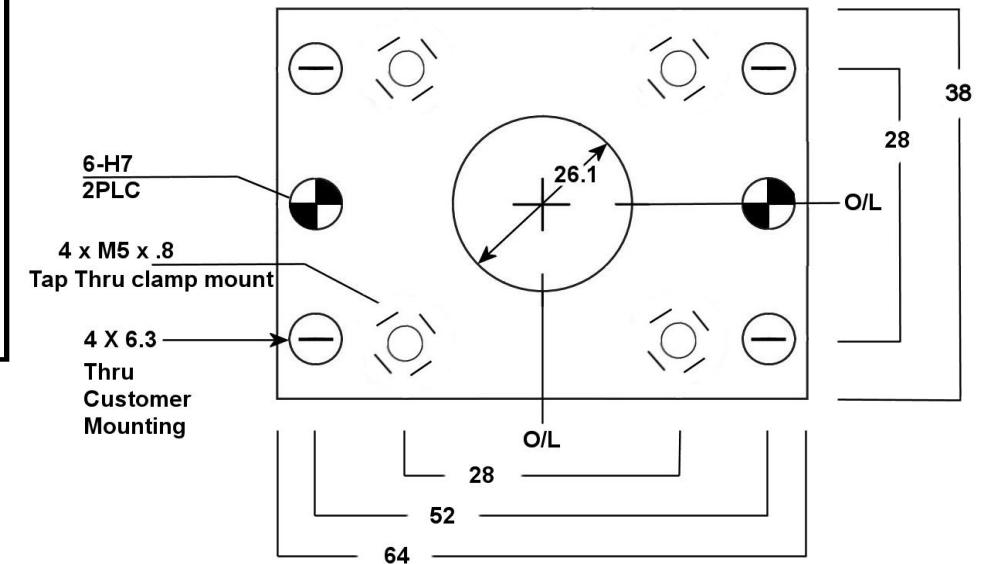
**Flange**  
**F** Flange  
**0** No Flange

**Rotation**  
**R** Right (Clockwise)  
**L** Left (Counter-Clockwise)

Standard component call out includes:

- (1) Dual Cylinder switch P/N MK5351
- M-12 4 Pin Eurofast Connector shipped S1 extended. Click for details
- (1) Clamp Finger (shown)
- (4) SHCS M-5 x 80 used to mount clamp from either direction or attach flange to either end.

Optional Mounting Flange 10 Thick



\*Custom Fingers Max. Length 48mm / Max. Weight .45kg (1 lb.)

Clamps come with standard finger shown. 90° standard rotation (contact us for options).

Operating Pressure: Max. 7kgf, cm2, 7BAR, 100 PSI / Min. 4kgf / cm2, 4BAR, 60 PSI

Clamping Pressure: Min. 13kgf, 30lbf / Max. 22kg 50lbf

Calculated Metric: Bar  x 6 =  kgf Imperial PSI  x .9 =  lbf

 <b>E &amp; E</b> CUSTOM PRODUCTS	<small>NOTICE: THIS DRAWING IS PROPERTY OF E&amp;E CUSTOM PRODUCTS INCLUDING THE PRINCIPLES OF THE DESIGN INVOLVED, AND IS SUBMITTED WITH AGREEMENT THAT IT IS NOT TO BE REPRODUCED, COPIED, OR LOANED, IN PART OR WHOLE, ACCEPTANCE OF THIS DRAWING WILL BE CONSTRUED AS AN AGREEMENT TO THE ABOVE</small>		
	TITLE ECRS25 Compact Rotashaft Short		
	PART NO.		
	DRAWN BY:	CHK'D BY:	APPR'D BY:
	DATE:	DATE:	DATE:
7200 MILLER DR. WARREN, MI 48092 EE-CP.COM	SCALE: 1/2 SHT 1 OF 1	DWG. NO. CRS25 Compact Rotashaft - SHORT	