

ORDERING INFORMATION

ECRS - 40S - [] [] 0

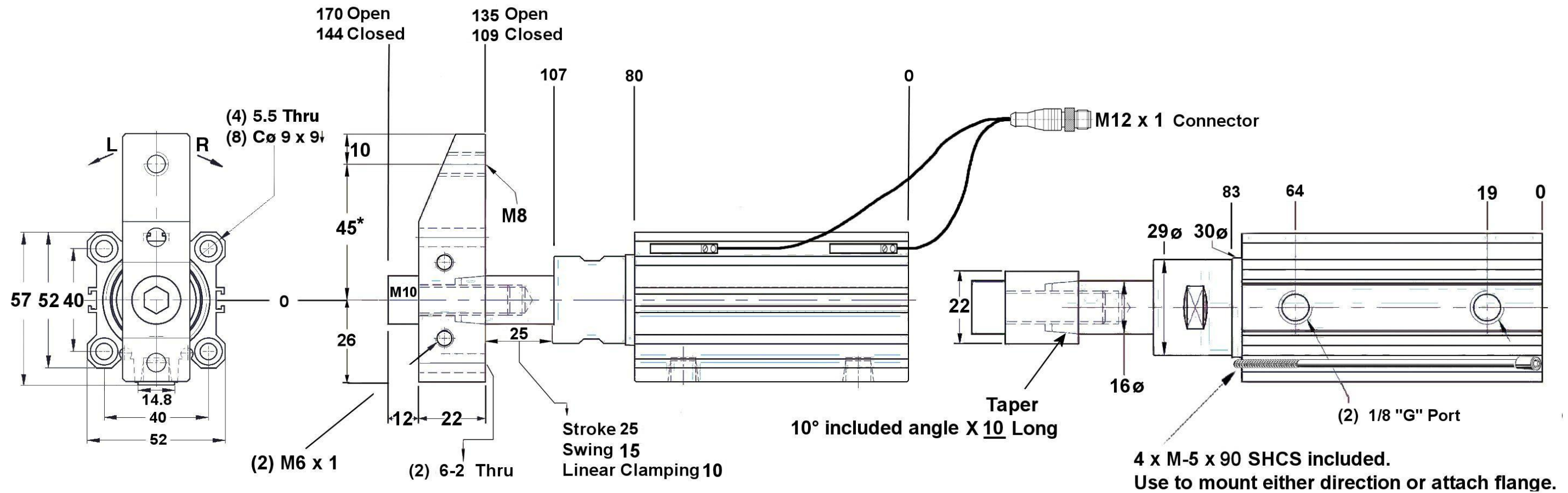
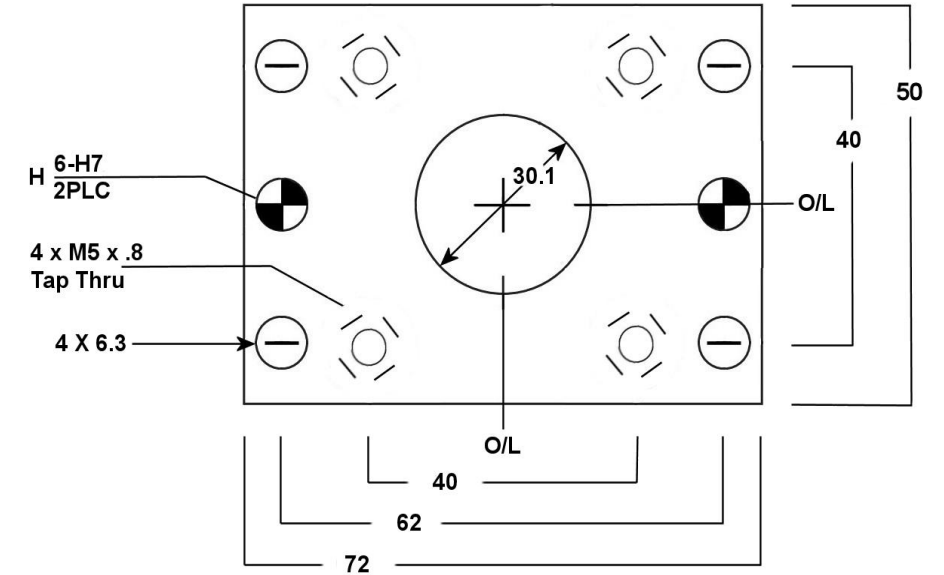
Flange
F Flange
O No Flange

Rotation
R Right (Clockwise)
L Left (Counter-Clockwise)

Standard component call out includes:

- (1) Dual Cylinder switch P/N MK5351
- M-12 4 Pin Eurofast Connector shipped S1 extended. Click for details
- (1) Clamp Finger (shown)
- (4) SHCS M-5 x 90 used to mount clamp from either direction or attach flange to either end.

Optional Mounting Flange 10 Thick



*Custom Fingers Max. Length 68mm / Max. Weight 1kg (2.2 lbs.)

Clamps come with standard finger shown. 90° standard rotation (contact us for options).

Operating Pressure: Max. 7kgf, cm2, 7BAR, 100 PSI / Min. 4kgf / cm2, 4BAR, 60 PSI

Clamping Pressure: Min. 49kgf, 106lbf / Max. 74kg 160lbf

Calculated Metric: Bar ____ x 6 = ____ kgf Imperial PSI ____ x .9 = ____ lbf

	<small>NOTICE: THIS DRAWING IS PROPERTY OF E&E CUSTOM PRODUCTS INCLUDING THE PRINCIPLES OF THE DESIGN INVOLVED, AND IS SUBMITTED WITH AGREEMENT THAT IT IS NOT TO BE REPRODUCED, COPIED, OR LOANED, IN PART OR WHOLE, ACCEPTANCE OF THIS DRAWING WILL BE CONSTRUED AS AN AGREEMENT TO THE ABOVE</small>		
	TITLE ECRS40 Compact Rotashaft (40mm Bore) Short		
	PART NO.		
	DRAWN BY:	CHK'D BY:	APPR'D BY:
	DATE:	DATE:	DATE:
7200 MILLER DR. WARREN, MI 48092 EE-CP.COM	SCALE: 1/2 SHT 1 OF 1	DWG. NO. CRS40 Compact Rotashaft - SHORT	