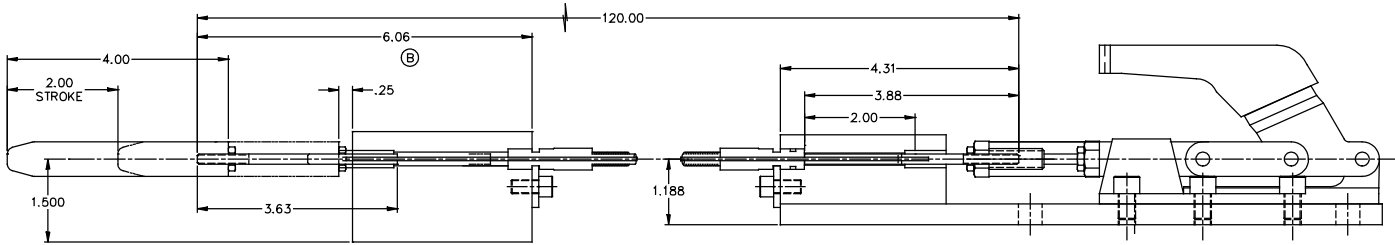
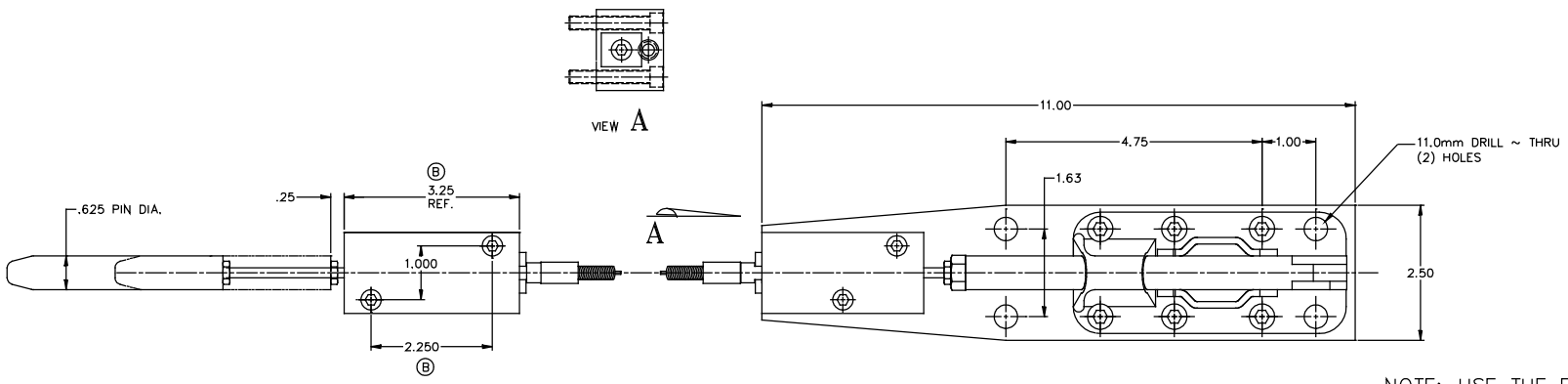


REV	CHANGES	DATE	BY
A	11mm DIA. HOLES & RELATED DIMS AND NOTES ADDED	23OCT02	G.A
B	PIN BLOCK REVISED TO PRINT	13JN16	CM



NOTE: USE THE FOLLOWING FOR COMPLETING PART NO'S.

FOR E&E PART NO'S.  
 E-5004-XXX-200  
 CABLE STROKE IN INCHES (2.00 SHOWN)  
 CABLE LG. IN INCHES PAD WITH ZERO IF LESS THAN 100

FOR WESCON CABLE PART NO.  
 #32C-SPL-XXX  
 CABLE LG. IN INCHES PAD WITH ZERO IF LESS THAN 100

Approved\*

Not approved

Approved per changes\*

Company / Signature & Date

Comments

\*Approval drawing must be signed & returned within 5 business days of receipt to hold quoted delivery dates

IF CAD DRAWN, MANUAL CHANGES ARE PROHIBITED UNLESS OTHERWISE SPECIFIED: .02 RAD. MAX. ON ALL INSIDE CORNERS REMOVE ALL BURRS AND BREAK SHARP EDGES CHAMFER ALL TAPPED HOLES 45° TO .33 OVER TAP SIZE	<b>GEOMETRIC DRAWING SYMBOLS</b> FLAT SURFACE ANGULAR SURFACE HOLE POSITION SQUARE ROUNDED CHAMFER CONCENTRIC PROFILE HORIZONTAL CENTERLINE (H&C) VERTICAL CENTERLINE (V&C) UNLESS OTHERWISE SPECIFIED	<b>INCH</b> 3RD ANGLE PROJECTION <b>DO NOT SCALE</b> MACHINING TOLERANCE INCH 2 PLACE DEC. ±.010 3 PLACE DEC. ±.005 4 PLACE DEC. ±.0005	<b>E&amp;E</b> SPECIAL PRODUCTS DIV. OF THE CHEESEBROT 7200 MILLER DR. WARREN, MI 48092 (810)978-3800	NOTICE: THIS DRAWING IS THE PROPERTY OF E&E PRODUCTS. IT IS TO BE USED ONLY FOR THE PART OR PARTS OF WHOLE. ACCEPTANCE OF THIS DRAWING SHALL BE CONSIDERED AS AN AGREEMENT TO THE ABOVE.		
				TITLE <b>REMOTE LOCKOUT PIN</b>	PART NO. <b>E-5004-120-200</b>	DRAWN BY: GREG DATE: 01JUN00

E&E CAD FILE #E-5004-120-200-0001-B.DWG