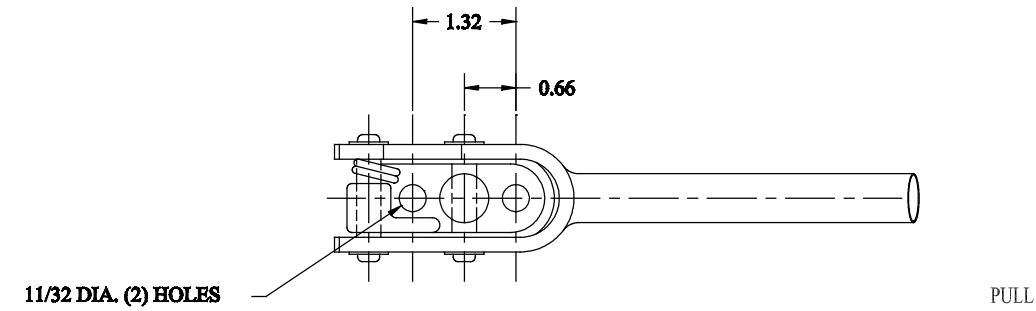


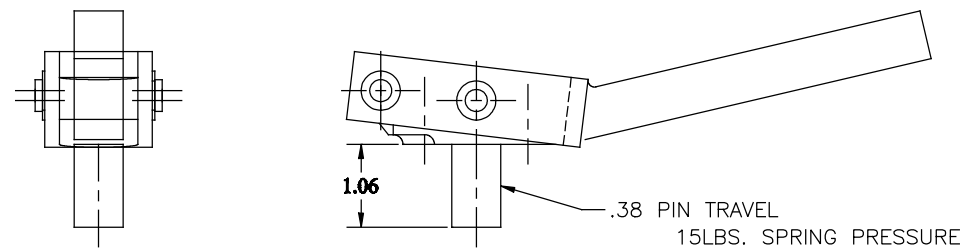
PIN HARDENED TO RC 46-50
AND GROUND TO .6232-.6237



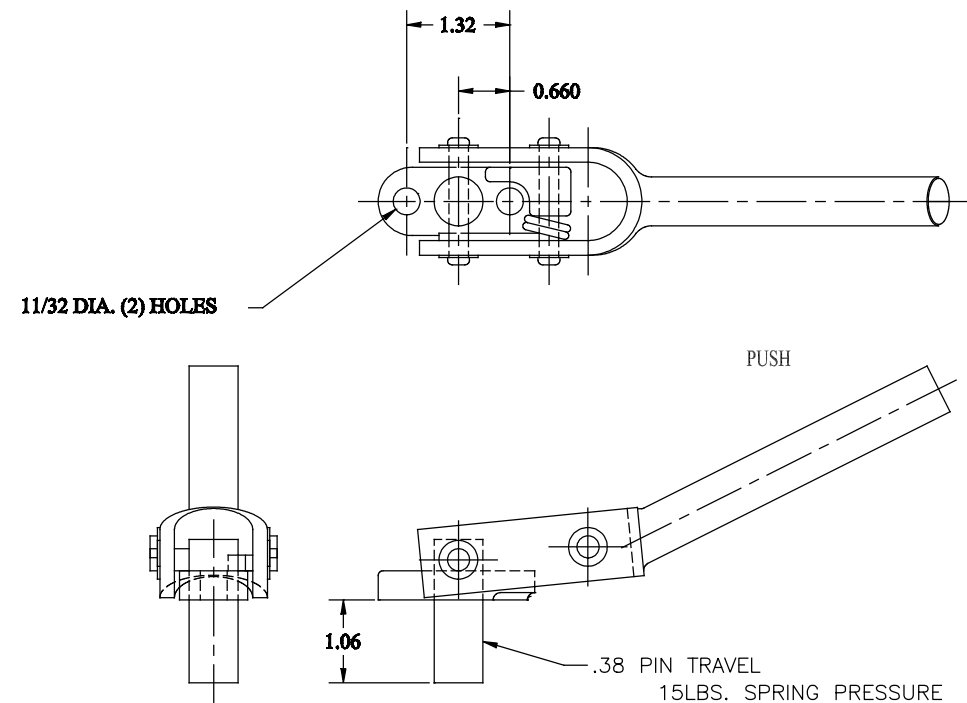
PULL

PART # ESP-3200 (Without Handle)

PART # ESP-3200H (With Handle)



PIN HARDENED TO RC 46-50
AND GROUND TO .6232-.6237



PUSH

PART # ESP-3201 (Without Handle)

PART # ESP-3201H (With Handle)

<p>IF CAD DRAWN, MANUAL CHANGES ARE PROHIBITED</p> <p>UNLESS OTHERWISE SPECIFIED:</p> <p>.02 RAD. MAX. ON ALL INSIDE CORNERS</p> <p>REMOVE ALL BURRS AND BREAK SHARP EDGES</p> <p>CHAMFER ALL TAPPED HOLES 45° TO .03 OVER TAP SIZE</p>	<p>GEOMETRIC DRAWING SYMBOLS</p> <ul style="list-style-type: none"> ▱ FLAT — STRAIGHT ∠ ANGULAR ⊥ SQUARE // PARALLEL ○ ROUND ⊙ CYLINDRICAL ◎ CONCENTRIC ⌒ PROFILE OF A LINE ⊖ PROFILE OF A SURFACE ⊕ TRUE POSITION ⊖ SYMMETRICAL RUNOUT CIR. ⌒ TOTAL RUNOUT ⊖ BASIC DIM. (.000) REF. DIM. Ⓜ MAXIMUM MATERIAL CONDITION (MMC) Ⓟ REGARDLESS OF FEATURE SIZE (RFS) Ⓟ PROJECTED TOLERANCE ZONE 	<p>INCH</p> <p>3RD ANGLE PROJECTION</p> <p>DO NOT SCALE</p> <p>MACHINING TOLERANCE INCH</p> <p>2 PLACE DEC. ±.010</p> <p>3 PLACE DEC. ±.005</p> <p>4 PLACE DEC. ±.0005</p>	<p>E & E</p> <p>SPECIAL PRODUCTS</p> <p>7200 MILLER DR WARREN, MI. 48092</p>	<p>TITLE ESP-3200 SERIES / SHOT PIN</p>		
		<p>PART NO.</p>				
		<p>DRAWN BY: TONI</p> <p>DATE: 30JAN01</p> <p>SCALE FULL</p> <p>SHT 03 OF</p>		<p>CHK'D BY: G.A.</p> <p>DATE: 30JAN01</p> <p>DWG. NO.</p>	<p>APPR'D BY: G.L.A.</p> <p>DATE: 26NOV01</p>	
		<p>7200 MILLER DR WARREN, MI. 48092</p>				