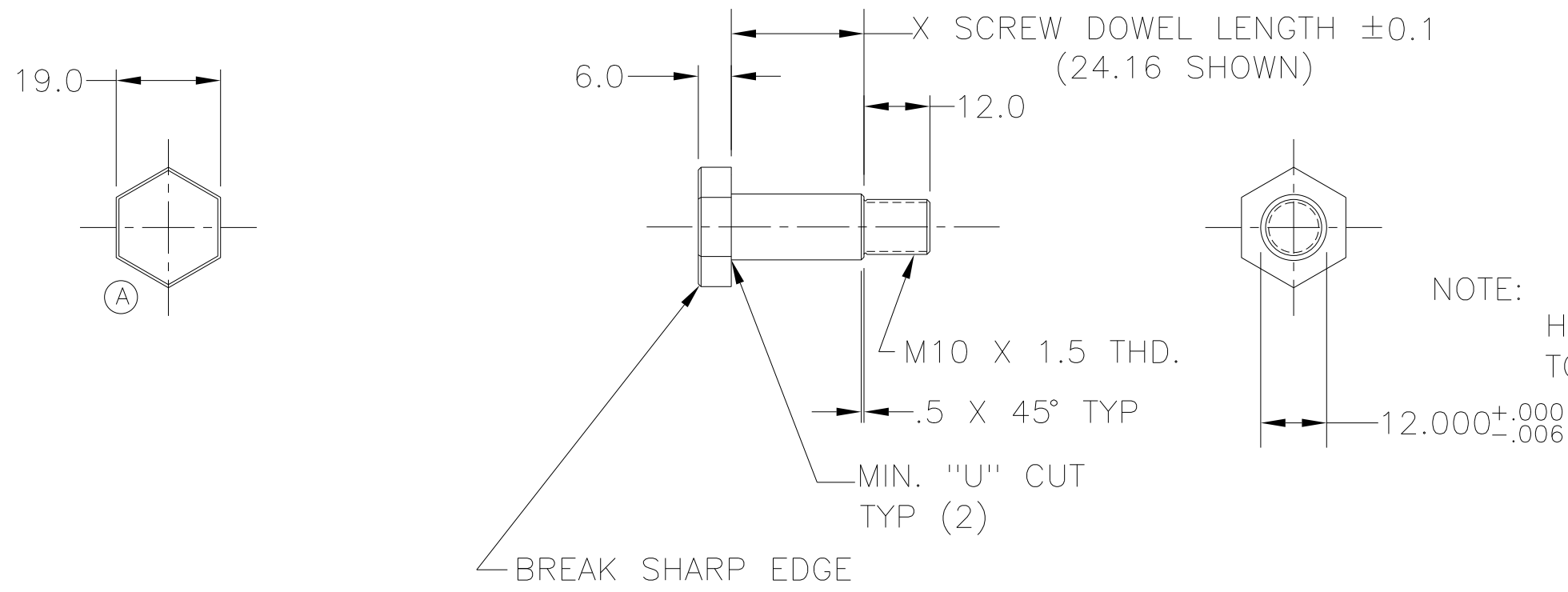


EXAMPLE

Click for CAD Files
.3DWG / .STP



EXAMPLE PART NUMBER



X SCREW DOWEL LG.	E&E PART NUMBERS
20.16	EM-930-121-020
24.16	EM-930-121-024
29.16	EM-930-121-029
34.16	EM-930-121-034
39.16	EM-930-121-039
45.16	EM-930-121-045

<p>IF CAD DRAWN, MANUAL CHANGES ARE PROHIBITED</p> <p>UNLESS OTHERWISE SPECIFIED:</p> <p>.5 RAD. MAX. FILLET ON ALL INSIDE CORNERS</p> <p>REMOVE ALL BURRS AND BREAK SHARP EDGES</p> <p>CHAMFER ALL TAPPED HOLES 45° TO 1 MM OVER TAP SIZE</p>	<p>GEOMETRIC DRAWING SYMBOLS</p> <p>□ FLAT ◌ PROFILE OF A SURFACE</p> <p>— STRAIGHT ⊕ TRUE POSITION</p> <p>∠ ANGULAR ⊕ SYMMETRICAL</p> <p>⊥ SQUARE ↗ RUNOUT CIR.</p> <p>// PARALLEL ↗ TOTAL RUNOUT</p> <p>○ ROUND [0.00] BASIC DIM.</p> <p>⊙ CYLINDRICAL (.000) REF. DIM.</p> <p>◎ CONCENTRIC ∩ PROFILE OF A LINE</p> <p>Ⓜ MAXIMUM MATERIAL CONDITION (MMC)</p> <p>Ⓟ REGARDLESS OF FEATURE SIZE (RFS)</p> <p>Ⓢ PROJECTED TOLERANCE ZONE</p>	<p>METRIC</p> <p>3RD ANGLE PROJECTION</p> <p>DO NOT SCALE</p> <p>MACHINING TOLERANCE MILLIMETERS</p> <p>1 PLACE DEC. ±.3</p> <p>2 PLACE DEC. ±.13</p> <p>3 PLACE DEC. ±.013</p>	<p>E&E</p> <p>SPECIAL PRODUCTS</p> <p>7200 MILLER DR. WARREN, MI. 48092</p>	<p>TITLE HEX HEAD SCREW DOWEL</p>		
				<p>PART NO. EM-930-121-0XX</p>		
				<p>DRAWN BY: GREG</p> <p>DATE: 04SEP01</p> <p>SCALE FULL</p>	<p>CHK'D BY: G.A.</p> <p>DATE: 04SEP01</p> <p>DWG. NO. E-930.121.001</p>	<p>APPR'D BY: G.L.A.</p> <p>DATE: 23OCT01</p>
				<p>SHT 01 OF 02</p>		